

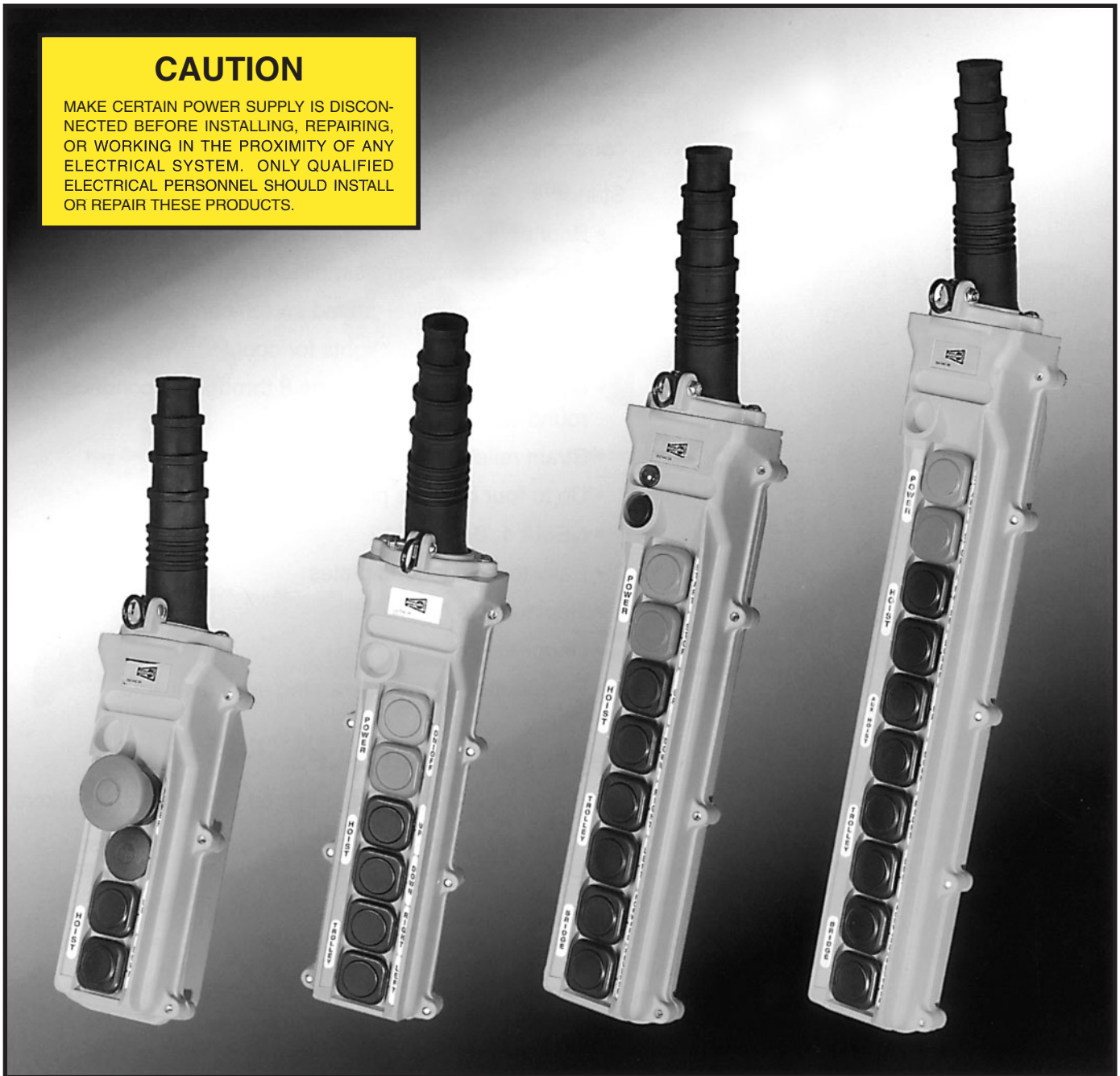


# L Series Pendant Push Button Stations

## Single-Speed, Two-Speed and Three-Speed

### CAUTION

MAKE CERTAIN POWER SUPPLY IS DISCONNECTED BEFORE INSTALLING, REPAIRING, OR WORKING IN THE PROXIMITY OF ANY ELECTRICAL SYSTEM. ONLY QUALIFIED ELECTRICAL PERSONNEL SHOULD INSTALL OR REPAIR THESE PRODUCTS.



[www.duct-o-wire.com](http://www.duct-o-wire.com)

P.O. Box 519

Corona, California 92878-0519

Phone: 909-735-8220; 800-543-3885; 800-735-1922

Fax: 909-735-2372; 800-752-6001; 800-735-0857

1351 W. Second Street

Oconomowoc, Wisconsin 53066

Phone: 262-567-2288

Fax: 262-567-0857

379 Davis Road, Unit #3

Oakville, Ontario, Canada L6J 2X2

Phone: 905-844-1791; 800-361-9473

Fax: 905-844-2533; 800-663-0933

# L Series Pendant Stations



## Standard Features

Duct-O-Wire L Series Pendant Stations are available in four, six, eight and ten-button configurations to fit a wide variety of applications ... from the simplest two-motion cranes to three-motion cranes equipped with multiple switches and accessories. Each station is available in a standard “Slim” or an optional “Deep” profile for extra wiring and accessory space. They may be purchased as complete assemblies with switches and accessories pre-installed, or you may build your own station by purchasing individual components and assembling them yourself.

Standard L Series Pendant Station features include:

- Bright yellow Polypropylene enclosure for easy visibility
- Two-piece enclosure simplifies field wiring
- Double-break silver-plated switch contacts
- Neon and LED pilot lights for cool trouble-free operation
- Multi-step cord grip accepts 8 through 24 conductor round cable
- Strain relief hook and clamp set
- Up to four motions plus accessories
- NEMA 1, 3, 4 and 12
- Easy to read legend plates
- Replaceable Neoprene boots
- Neoprene bushing
- Push button operator warning label available.

## Legend Plate Set L-LPS

The following words are supplied on easy-to-apply stickers.

UP	HOIST	START	LIGHTS	RAISE
DOWN	AUX HOIST	STOP	HORN	LOWER
TROLLEY	SLOW	NORTH	EAST	ON-OFF
BRIDGE	FAST	SOUTH	WEST	PUSH-ON-OFF
FORWARD	RIGHT	FRONT	OPEN	MAGNET
REVERSE	LEFT	REAR	CLOSE	INTERLOCK
POWER	LIFT	ENGAGE	IN	INCHING
E-STOP	DROP	DISENGAGE	OUT	A-B
A-BOTH-B	A B BOTH	(BLANK)		
A-AB-B				

# L Series Switches and Accessories



**Two-Button Switch**  
LS-1, LS-1-S, LS-2,  
LS-2-S, LS-2-S1, LS-3,  
LS-A, LS-M, LS-MS-2A



**Toggle Switch**  
LS-6



**Single Button Switch**  
LS-MS, LS-6A



**LED**  
LS-LED



**Horn Switch**  
LS-H



**Key Switch**  
LS-7



**Emergency On/Off**  
LS-STMM



**Selector Switch**  
LS-11, LS-12,  
LS-13, LS-16, LS-18



**Accessory Switch Tool**  
LS-Tool



**Hole Blank**  
LS-Blank



**Multi-Step Cord Grip**  
L-MSCG



**Pilot Light**  
LS-PL

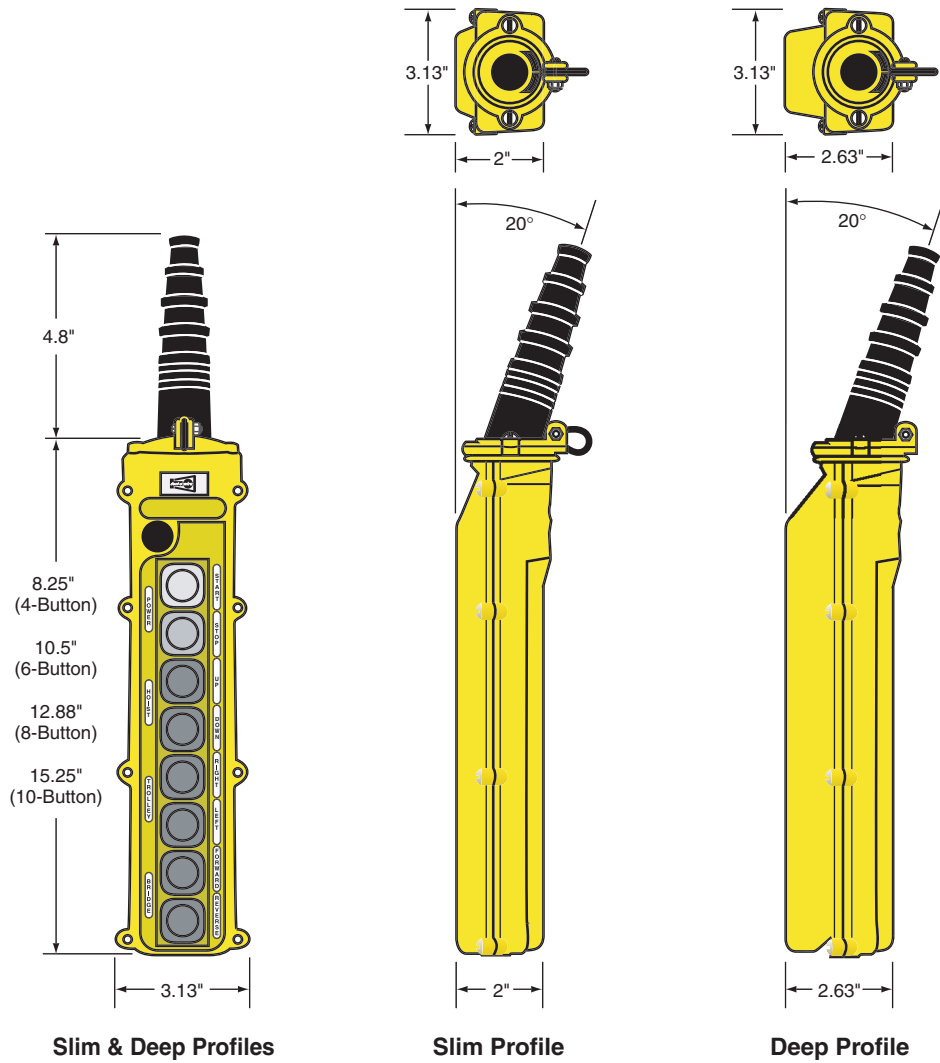


**Strain Relief Hook & Cable Clamp Set**  
L-CG3



**Boot Styles**  
L-BB, L-BG, L-BR, L-B90, L-B45

# Dimensions



# Operator's Card

Operating Instruction Tag fits on the cable above the Pendant Station. Complies with ANSI and OSHA Requirements for hoist and crane operators.

Order part number "WARNING LABEL".

Printed in Spanish on reverse side.

